



PRODUCT FEATURES

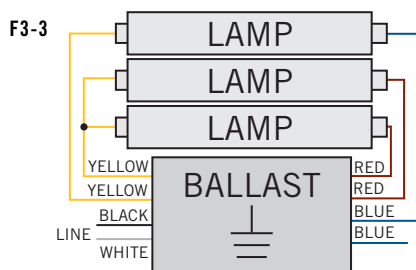
STARTING METHOD: Instant	INPUT VOLTAGE: 120VAC ±10%	WARRANTY: 3 Years
LAMP CONNECTION: Parallel	INPUT FREQUENCY: 50/60 Hz	POWER FACTOR: Normal

- Sound Rated: A
- Minimum Starting Temperature: 0°F, -18°C
- Maximum Case Temperature: 167°F, 75°C
- Meets FCC Part 18 (Class B) Consumer Limits
- OCV: 600V

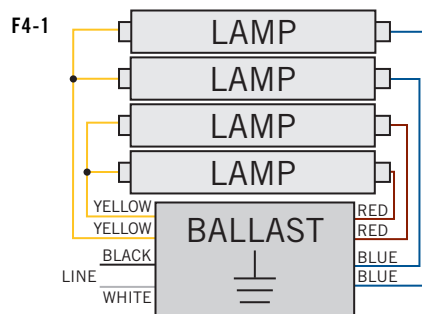
ELECTRICAL SPECIFICATIONS

LAMP TYPE	NO. OF LAMPS	INPUT VOLTS	INPUT WATTS	INPUT CURRENT (AMPS)	POWER FACTOR	CREST FACTOR	BALLAST FACTOR	BALLAST EFFICACY FACTOR	MAX THD%	WIRING DIAGRAM
F32T8	4	120	105.0	1.51	0.58	<1.70	0.80	0.76	125	F4-1
	3	120	87.0	0.73	0.55	<1.70	0.87	1.00	135	F3-3
F25T8	4	120	81.0	1.25	0.54	<1.70	0.80	0.99	140	F4-1
	3	120	66.0	1.07	0.52	<1.70	0.84	1.27	150	F3-3
F17T8	4	120	60.0	0.98	0.51	<1.70	0.88	1.47	155	F4-1
	3	120	49.0	0.82	0.50	<1.70	0.87	1.78	160	F3-3

WIRING DIAGRAMS

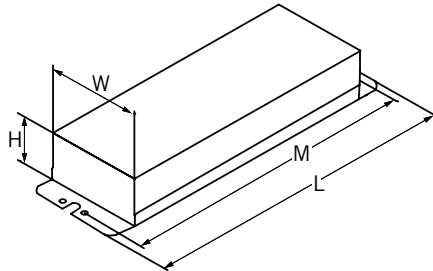


FOR 3 LAMP OPERATION, CAP UNUSED
BLUE LEAD, INSULATE TO 600V



Instant Start T8 ballasts require the use of Shunted lampholders/ sockets.

CASE STYLE/DIMENSIONS



CASE DIMENSIONS

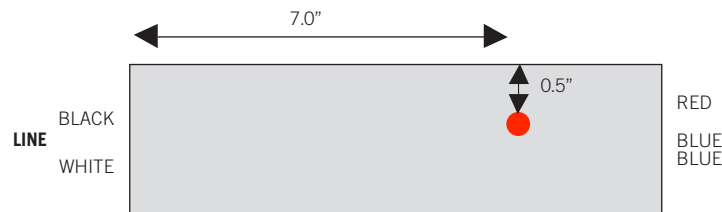
LENGTH: 9.50"
WIDTH: 1.70"
HEIGHT: 1.15"
MOUNTING: 8.90"
UNIT WEIGHT: 1.30 lbs

STANDARD LEAD LENGTHS*

BLACK: 24.00"
WHITE: 24.00"
BLUE: 31.00" X 31.00"
RED: 31.00" X 31.00"
YELLOW: 39.00" X 39.00"

*Consult Keystone for special lead length requirements.

HOT SPOT LOCATION



ORDERING INFORMATION

ORDER CODE	PACKAGING STYLE	PACK QTY.	ITEM STATUS
KTEB-432RIS-1-TP-CP	Carton	40	Quick Ship
KTEB-432RIS-1-TP-BP	Bulk	1,260	Special Order

CATALOG NUMBER BREAKDOWN

KTEB-432RIS-1-TP

Keystone Technologies
Electronic Ballast
4
Lamps
32
Watts
Residential
Instant Start
120V
Input
Thermally
Protected