



PRODUCT FEATURES

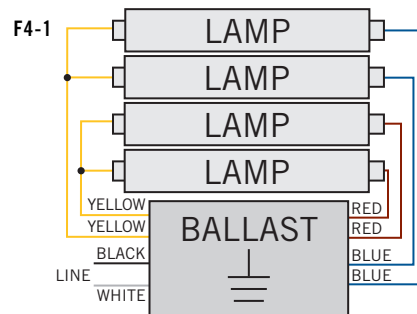
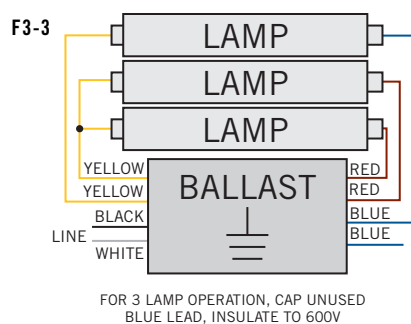
STARTING METHOD: Instant	INPUT VOLTAGE: 120VAC ±10%	WARRANTY: 5 Years
LAMP CONNECTION: Parallel	INPUT FREQUENCY: 50/60 Hz	POWER FACTOR: Normal

- Sound Rated: A
- Minimum Starting Temperature: 0°F, -18°C
- Maximum Case Temperature: 176°F, 80°C
- Meets FCC Part 18 (Class A) Non-Consumer Limits
- Transient Protection Meets ANSI/IEEE62.41 Cat. A
- Ballast frequency for all listed lamps: 20KHz-33KHz
- Lamp end-of-life protected

ELECTRICAL SPECIFICATIONS

LAMP TYPE	NO. OF LAMPS	VOLTS	INPUT WATTS	INPUT CURRENT (AMPS)	POWER FACTOR	CREST FACTOR	BALLAST FACTOR	BALLAST EFFICACY FACTOR	MAX THD%	WIRING DIAGRAM
F40T8	3	120	108.0	0.90	0.99	1.56	0.88	0.82	10	F3-3
FT40W/2G11	3	120	98.0	0.82	0.99	1.58	0.80	0.82	10	F3-3
F32T8	4	120	112.0	0.93	0.99	1.57	0.88	0.79	10	F4-1
	3	120	90.0	0.75	0.99	1.52	0.90	1.00	10	F3-3
F25T8	4	120	88.0	0.74	0.99	1.52	0.88	1.00	10	F4-1
	3	120	70.0	0.59	0.99	1.52	0.90	1.29	10	F3-3
F17T8	4	120	61.0	0.51	0.99	1.53	0.88	1.44	10	F4-1
	3	120	51.0	0.42	0.99	1.50	0.90	1.76	10	F3-3

WIRING DIAGRAMS

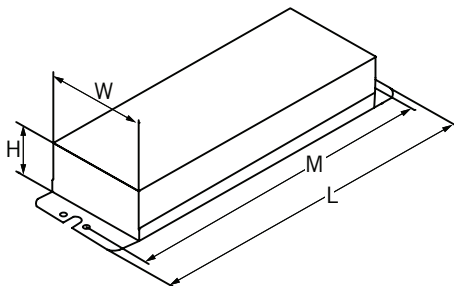




KTEB-432LBF-1-TP-PIC

T8 ELECTRONIC FLUORESCENT

CASE STYLE/DIMENSIONS



CASE DIMENSIONS

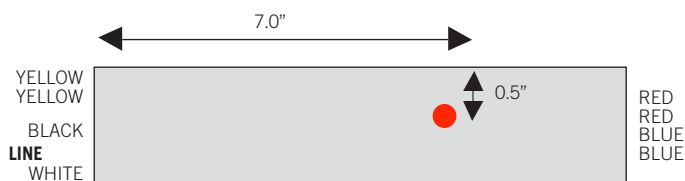
LENGTH: 9.50"
WIDTH: 1.70"
HEIGHT: 1.15"
MOUNTING: 8.90"
UNIT WEIGHT: 1.41 lbs

STANDARD LEAD LENGTHS*

BLACK: 25.00"
WHITE: 25.00"
BLUE: 31.00" X 31.00"
RED: 31.00" X 31.00"
YELLOW: 45.00" X 45.00"

*Consult Keystone for special lead length requirements.

HOT SPOT LOCATION



ORDERING INFORMATION

ORDER CODE	PACKAGING STYLE	PACK QTY.	ITEM STATUS
KTEB-432LBF-1-TP-PIC-DP	Distributor	10	Quick Ship
KTEB-432LBF-1-TP-PIC-CP	Carton		Special Order
KTEB-432LBF-1-TP-PIC-BP	Bulk	1,260	Special Order

CATALOG NUMBER BREAKDOWN

KTEB-432LBF-1-TP-PIC

