



KTEB-332LBF-UV-TP-PIC	
Ballast Type	Electronic
Starting Method	Instant Start
Lamp Connection	Parallel
Input Voltage	120 ~ 277Vac ± 10%
Input Frequency	60Hz / 50Hz

ELECTRICAL SPECIFICATIONS:

Lamp Type	No. of Lamp	Volts	Input Watts	Input Current (Amps)	Power Factor	Crest Factor	Ballast Factor	Ballast Efficacy Factor	Max. THD %
F40T8	2	120	77	0.65	0.99	1.58	0.88	1.14	10
		277	77	0.28	0.98	1.57	0.88	1.14	10
FT40W/2G11	2	120	70	0.59	0.99	1.52	0.88	1.26	10
		277	70	0.26	0.98	1.52	0.88	1.26	10
F32T8	3	120	90	0.76	0.99	1.58	0.88	0.98	10
		277	90	0.33	0.99	1.58	0.88	0.98	10
		120	65	0.55	0.99	1.56	1.00	1.54	10
F25T8	2	277	65	0.24	0.99	1.55	1.00	1.54	10
		120	70	0.58	0.99	1.58	0.88	1.26	10
		277	70	0.26	0.98	1.58	0.88	1.26	10
F17T8	3	120	48	0.40	0.99	1.54	1.00	2.08	10
		277	48	0.18	0.97	1.54	1.00	2.08	10
		120	51	0.43	0.99	1.55	0.88	1.73	10
F28T8	2	277	51	0.19	0.97	1.55	0.88	1.73	10
		120	36	0.30	0.99	1.51	1.00	2.78	10
		277	36	0.14	0.95	1.51	1.00	2.78	10
F28T8	3	120	78	0.65	0.99	1.50	0.90	1.15	10
		277	78	0.28	0.98	1.50	0.90	1.15	10
		120	59	0.49	0.98	1.45	1.05	1.78	12
		277	59	0.22	0.98	1.45	1.05	1.78	12

PERFORMANCE:

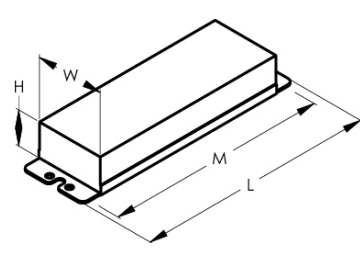
- Sound Rated: A
- Minimum Starting Temperature: 0°F, -18°C
- Maximum Case Temperature: 167°F, 75°C
- Meets FCC Part 18 (Class A) Non Consumer Limits
- Transient Protection meets ANSI/IEEE C62.41 Cat. A
- 5-Year Warranty

APPROVALS:

- UL, cUL 935 listed

PHYSICAL DIMENSIONS:

Length (L):	9.50"
Width (W):	1.70"
Height (H):	1.15"
Mounting (M):	8.90"
Lead Length:	
White, Black	25"
Blue	31"x 31"x 31"
Red	37"



WIRING DIAGRAM:

Hot Spot Location:

