



## PRODUCT FEATURES

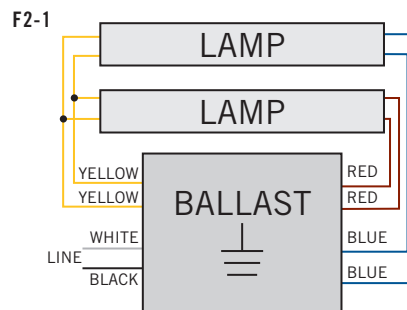
<b>STARTING METHOD:</b> Rapid	<b>INPUT VOLTAGE:</b> 120-277VAC ±10%	<b>WARRANTY:</b> 3 Years
<b>LAMP CONNECTION:</b> Parallel	<b>INPUT FREQUENCY:</b> 50/60 Hz	<b>POWER FACTOR:</b> High

- Sound Rated: A
- Minimum Starting Temperature: 0°F, -18°C
- Maximum Case Temperature: 167°F, 75°C
- Meets FCC Part 18 (Class B) Consumer Limits
- Transient Protection Meets ANSI/IEEE62.41 Cat. A
- OCV: 600V

## ELECTRICAL SPECIFICATIONS

LAMP TYPE	NO. OF LAMPS	INPUT VOLTS	INPUT WATTS	INPUT CURRENT (AMPS)	POWER FACTOR	CREST FACTOR	BALLAST FACTOR	BALLAST EFFICACY FACTOR	MAX THD%	WIRING DIAGRAM
F40T12 or F40T12/U	2	120	74.0	0.62	0.99	1.66	0.88	1.19	10	F2-1
	2	277	74.0	0.27	0.98	1.66	0.88	1.19	10	F2-1
F34T12 or F34T12/U	2	120	63.0	0.53	0.99	1.63	0.85	1.35	10	F2-1
	2	277	63.0	0.23	0.98	1.63	0.85	1.35	10	F2-1
F40T12 (25W Shoplight)	2	120	74.0	0.62	0.99	1.66	0.88	1.19	10	F2-1
	2	277	74.0	0.27	0.98	1.66	0.88	1.19	10	F2-1
F30T12	2	120	58.0	0.49	0.99	1.65	0.88	1.52	10	F2-1
	2	277	58.0	0.21	0.97	1.65	0.88	1.52	10	F2-1

## WIRING DIAGRAMS

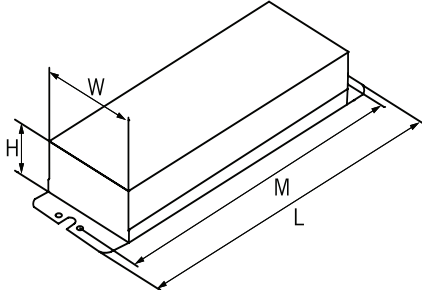




# KTEB-240-UV-TP-PIC

T12 ELECTRONIC FLUORESCENT

## CASE STYLE/DIMENSIONS



### CASE DIMENSIONS

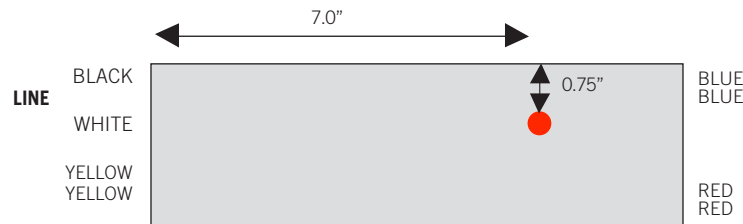
LENGTH: 9.50"
WIDTH: 1.38"
HEIGHT: 1.18"
MOUNTING: 8.90"
UNIT WEIGHT: 1.11 lbs

### STANDARD LEAD LENGTHS\*

BLACK: 24.00"
WHITE: 24.00"
BLUE: 26.00" X 26.00"
RED: 26.00" X 26.00"
YELLOW: 36.00" X 36.00"

\*Consult Keystone for special lead length requirements.

## HOT SPOT LOCATION



## ORDERING INFORMATION

ORDER CODE	PACKAGING STYLE	PACK QTY.	ITEM STATUS
KTEB-240-UV-TP-PIC-DP	Distributor	10	Quick Ship

## CATALOG NUMBER BREAKDOWN

# KTEB-240-UV-TP-PIC

