



PRODUCT FEATURES

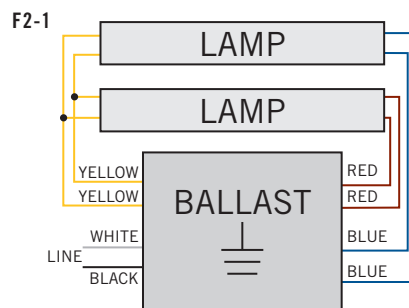
STARTING METHOD: Rapid	INPUT VOLTAGE: 120 VAC ±10%	WARRANTY: 3 Years
LAMP CONNECTION: Series	INPUT FREQUENCY: 50/60 Hz	POWER FACTOR: High

- Sound Rated: A
- Minimum Starting Temperature: 0°F, -18°C
- Maximum Case Temperature: 167°F, 75°C
- Meets FCC Part 18 (Class B) Consumer Limits
- Transient Protection Meets ANSI/IEEE62.41 Cat. A
- OCV: 600V

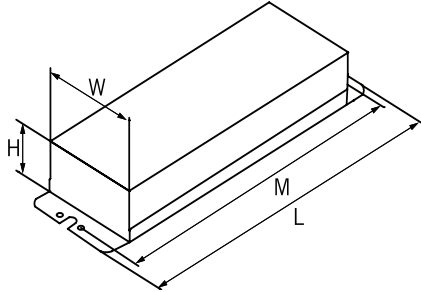
ELECTRICAL SPECIFICATIONS

LAMP TYPE	NO. OF LAMPS	INPUT VOLTS	INPUT WATTS	INPUT CURRENT (AMPS)	POWER FACTOR	CREST FACTOR	BALLAST FACTOR	BALLAST EFFICACY FACTOR	MAX THD%	WIRING DIAGRAM
F40T12 or F40T12/U	2	120	74.0	0.62	0.99	1.66	0.88	1.19	10	F2-1
F34T12 or F34T12/U	2	120	63.0	0.53	0.98	1.63	0.85	1.35	10	F2-1
F40T12 (25W Shoplight)	2	120	78.0	0.66	0.99	1.64	1.40	1.79	10	F2-1
F30T12	2	120	58.0	0.49	0.99	1.65	0.88	1.52	10	F2-1

WIRING DIAGRAMS



CASE STYLE/DIMENSIONS



CASE DIMENSIONS

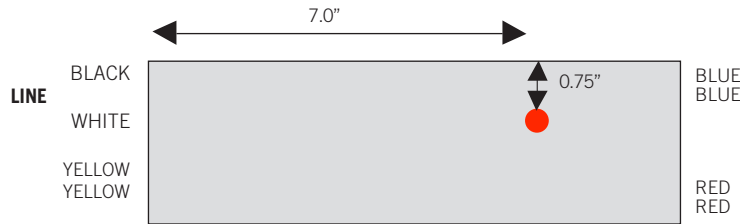
LENGTH: 9.50"
WIDTH: 1.38"
HEIGHT: 1.18"
MOUNTING: 8.90"
UNIT WEIGHT: 1.11 lbs

STANDARD LEAD LENGTHS*

BLACK: 24.00"
WHITE: 24.00"
BLUE: 26.00" X 26.00"
RED: 26.00" X 26.00"
YELLOW: 36.00" X 36.00"

*Consult Keystone for special lead length requirements.

HOT SPOT LOCATION



ORDERING INFORMATION

ORDER CODE	PACKAGING STYLE	PACK QTY.	ITEM STATUS
KTEB-240-1-TP-PIC-DP	Distributor	10	Quick Ship
KTEB-240-1-TP-PIC-CP	Carton	10	Active
KTEB-240-1-TP-PIC-BP	Bulk	1,080	Special Order

CATALOG NUMBER BREAKDOWN

KTEB-240-1-TP-PIC

Keystone Technologies | 2 | 40 | 120V | Thermally | Active Power
 Electronic Ballast | Lamps | Watts | Input | Protected | Factor Correction