



PRODUCT FEATURES

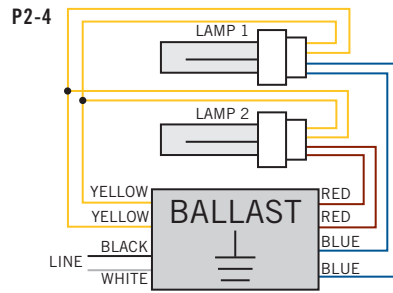
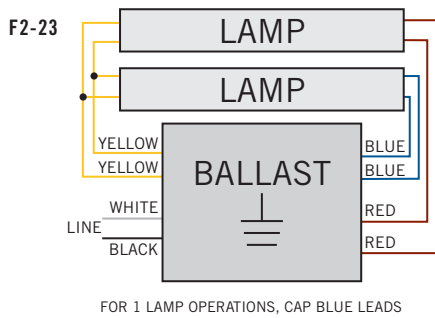
STARTING METHOD: Program	INPUT VOLTAGE: 120-277VAC ±10%	WARRANTY: 5 Years
LAMP CONNECTION: Parallel	INPUT FREQUENCY: 50/60 Hz	POWER FACTOR: High

- Sound Rated: A
- Minimum Starting Temperature: 0°F, -18°C
- Maximum Case Temperature: 167°F, 75°C
- Meets FCC Part 18 (Class A) Non-Consumer Limits
- Transient Protection Meets ANSI/IEEE62.41 Cat. A
- Ballast frequency for all listed lamps: > 40kHz

ELECTRICAL SPECIFICATIONS

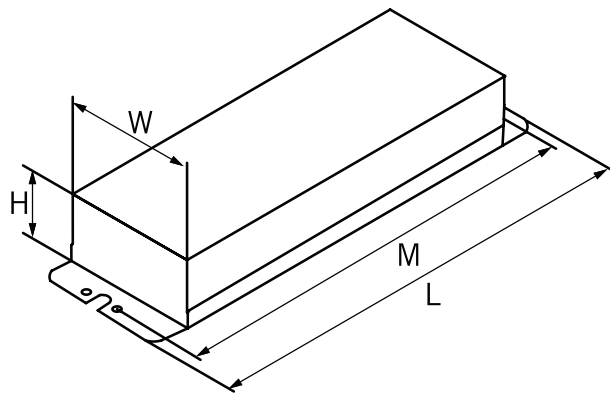
LAMP TYPE	NO. OF LAMPS	INPUT VOLTS	INPUT WATTS	INPUT CURRENT (AMPS)	POWER FACTOR	CREST FACTOR	BALLAST FACTOR	BALLAST EFFICACY FACTOR	MAX THD%	WIRING DIAGRAM
F32T8 32W	2	120	60	0.50	0.99	<1.7	0.88	1.47	10	F2-23
		277	60	0.22	0.98	<1.7	0.88	1.47	10	F2-23
	1	120	37	0.31	0.98	<1.7	0.99	2.68	10	F2-23
		277	37	0.14	0.93	<1.7	0.99	2.68	10	F2-23
F32T8 30W	2	120	56	0.47	0.99	<1.7	0.88	1.57	10	F2-23
		277	56	0.21	0.98	<1.7	0.88	1.57	10	F2-23
	1	120	36	0.30	0.98	<1.7	1.02	2.83	10	F2-23
		277	36	0.14	0.96	<1.7	1.02	2.83	10	F2-23
F32T8 28W	2	120	54	0.45	0.99	<1.7	0.90	1.67	10	F2-23
		277	54	0.20	0.98	<1.7	0.90	1.67	10	F2-23
	1	120	35	0.29	0.99	<1.7	1.06	3.03	10	F2-23
		277	35	0.13	0.96	<1.7	1.06	3.03	10	F2-23
F32T8 25W	2	120	50	0.42	0.99	<1.7	0.92	1.84	10	F2-23
		277	50	0.19	0.97	<1.7	0.92	1.84	10	F2-23
	1	120	33	0.27	0.99	<1.7	1.05	3.18	10	F2-23
		277	33	0.12	0.95	<1.7	1.05	3.18	12	F2-23
F25T8 25W	2	120	47	0.40	0.99	<1.7	0.83	1.77	10	F2-23
		277	47	0.18	0.95	<1.7	0.88	1.87	10	F2-23
	1	120	31	0.26	0.98	<1.7	1.01	3.26	10	F2-23
		277	32	0.12	0.95	<1.7	1.01	3.16	12	F2-23
F17T8 17W	2	120	34	0.30	0.98	<1.7	0.90	2.65	10	F2-23
		277	35	0.13	0.96	<1.7	0.90	2.57	10	F2-23
	1	120	23	0.20	0.98	<1.7	1.03	4.48	10	F2-23
		277	24	0.09	0.93	<1.7	1.03	4.29	12	F2-23
F40T8 40W	1	120	45	0.38	0.98	<1.7	0.99	2.20	10	F2-23
		277	45	0.17	0.97	<1.7	1.01	2.24	10	F2-23
PLL 25W	2	120	55	0.46	0.99	<1.7	0.88	1.60	10	P2-4
		277	55	0.20	0.98	<1.7	0.88	1.60	12	P2-4
	1	120	35	0.29	0.99	<1.7	1.03	2.94	10	P2-4
PLL 28W	2	120	60	0.51	0.99	<1.7	0.93	1.55	10	P2-4
		277	60	0.22	0.99	<1.7	0.94	1.57	10	P2-4
	1	120	38	0.32	0.99	<1.7	1.07	2.82	10	P2-4
PLL 40W	1	277	38	0.14	0.98	<1.7	1.07	2.82	10	P2-4
		120	40	0.34	0.99	<1.7	0.80	2.00	10	P2-4
PLL 40W	1	277	40	0.15	0.98	<1.7	0.80	2.00	10	P2-4
		120	40	0.15	0.98	<1.7	0.80	2.00	10	P2-4

WIRING DIAGRAMS



Program Start T8 ballasts require the use of NON-shunted lampholders/sockets.

CASE STYLE/DIMENSIONS



CASE DIMENSIONS

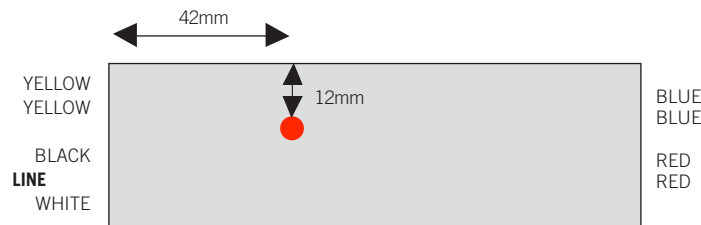
LENGTH: 9.50"
WIDTH: 1.38"
HEIGHT: 1.18"
MOUNTING: 8.90"
UNIT WEIGHT: 1.17 lbs

STANDARD LEAD LENGTHS*

BLACK: 25.00"
WHITE: 25.00"
BLUE: 31.00" X 31.00"
RED: 34.00" X 34.00"
YELLOW: 48.00" X 48.00"

*Consult Keystone for special lead length requirements.

HOT SPOT LOCATION



ORDERING INFORMATION

ORDER CODE	PACKAGING STYLE	PACK QTY.	ITEM STATUS
KTEB-232-UV-PS-N-P-CP	Carton	30	Quick Ship

CATALOG NUMBER BREAKDOWN

KTEB-232-UV-PS-N-P

