



KTEB-228HE-UV-TP-PS	
Ballast Type	Electronic
Starting Method	Programmed Start
Lamp Connection	Series
Input Voltage	120-277Vac ± 10%
Input Frequency	50/60Hz

ELECTRICAL SPECIFICATIONS:

Lamp Type	No. of Lamp	Volts	Input Watts	Input Current (Amps)	Power Factor	Max. Crest Factor	Ballast Factor	Ballast Efficacy Factor	Max. THD %
F28T5/HE	2	120	64	0.55	0.99	1.7	1.03	1.61	10
		277	63	0.23	0.99	1.7	1.03	1.63	10
	1	120	33	0.28	0.98	1.7	1.04	3.15	10
		277	33	0.12	0.98	1.7	1.04	3.15	10
F21T5/HE	2	120	48	0.40	0.98	1.7	1.02	2.13	10
		277	48	0.17	0.98	1.7	1.02	2.13	10
	1	120	26	0.21	0.99	1.7	1.03	3.96	15
		277	26	0.10	0.95	1.7	1.03	3.96	15
F14T5/HE	2	120	34	0.29	0.98	1.7	1.06	3.12	10
		277	34	0.13	0.98	1.7	1.06	3.12	10
	1	120	19	0.16	0.98	1.7	1.07	5.63	15
		277	19	0.07	0.90	1.7	1.07	5.63	20

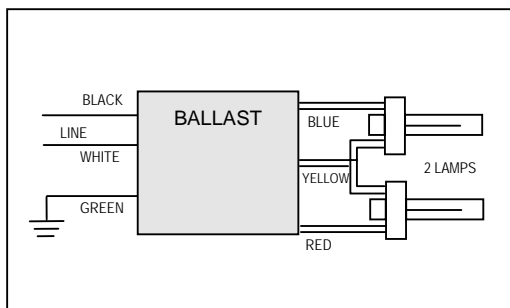
PERFORMANCE:

- Sound Rated: A
- Minimum Starting Temperature: 0°F, -18°C
- Maximum Case Temperature: 194°F, 90°C
- Meets FCC Part 18 (Class B) Consumer Limits
- 3-Year Warranty
- UL, cUL 935 Pending
- Transient Protection meets ANSI/IEEE C62.41 Cat. A
- Lamp end-of-life protected

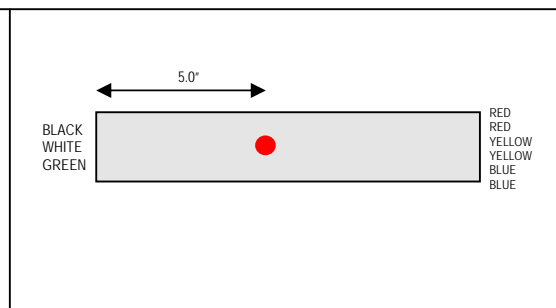
PHYSICAL DIMENSIONS:

Length (L):	16.7"	
Width (W):	1.18"	
Height (H):	1.00"	
Mounting (M):	16.4"	

WIRING DIAGRAM:



Hot Spot Location:



KEYSTONE TECHNOLOGIES LLC.
 P.O. Box 246, AMBLER, PENNSYLVANIA 19002
 PHONE: 215-283-2600
 FAX: 215-628-4412
 INFO@KEYSTONEBALLAST.COM
 WWW.KEYSTONEBALLAST.COM