



KTEB-2110-UV-TP-PIC	
Ballast Type	Electronic
Starting Method	Rapid Start
Lamp Connection	Series
Input Voltage	120-277Vac ± 10%
Input Frequency	50/60Hz

ELECTRICAL SPECIFICATIONS:

Lamp Type	No. of Lamp	Volts	Input Watts	Input Current (Amps)	Power Factor	Crest Factor	Ballast Factor	Ballast Efficacy Factor	Max. THD %
F96T12/HO 110W	2	120	196	1.65	0.99	< 1.7	0.85	0.43	10
	2	277	196	0.71	0.98	< 1.7	0.85	0.43	10
	1	120	104	0.88	0.95	< 1.7	0.92	0.88	12
	1	277	104	0.38	0.94	< 1.7	0.92	0.88	15
F96T12/HO/ES 95W	2	120	164	1.38	0.98	< 1.7	0.90	0.55	10
	2	277	164	0.60	0.97	< 1.7	0.90	0.55	10
F72T12/HO 85W	2	120	154	1.30	0.99	< 1.7	0.90	0.58	10
	2	277	154	0.56	0.97	< 1.7	0.90	0.58	10
F60T12/HO 75W	2	120	132	1.10	0.97	< 1.7	0.90	0.68	10
	2	277	132	0.47	0.96	< 1.7	0.90	0.68	12
F48T12/HO 60W	2	120	104	0.88	0.96	< 1.7	0.90	0.87	12
	2	277	104	0.38	0.96	< 1.7	0.90	0.87	12

PERFORMANCE:

- Sound Rated: A
- Min. Starting Temperature: -20°F, -30°C for HO lamp
- Min. Starting Temperature: 60°F, 18°C for HO/ES lamp
- Maximum Case Temperature: 167°F, 75°C
- Meets FCC Part 18 (Class A) Non Consumer Limits
- Transient Protection meets ANSI/IEEE C62.41 Cat. A
- Ballast frequency for all listed lamps: 20KHz-33KHz
- 5-Year Warranty

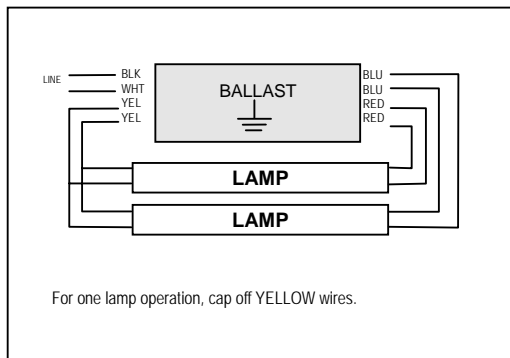
APPROVALS:

- UL, cUL 935 Listed

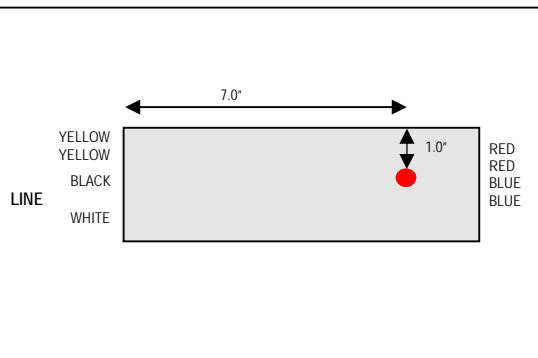
PHYSICAL DIMENSIONS:

Length (L):	11.8"	
Width (W):	3.15"	
Height (H):	2.50"	
Mounting (M):	11.0"	

WIRING DIAGRAM:



HOT SPOT LOCATION:



KEYSTONE TECHNOLOGIES LLC.
P.O. Box 246, AMBLER, PENNSYLVANIA 19002
PHONE: 215-283-2600
FAX: 215-628-4412
INFO@KEYSTONEBALLAST.COM
WWW.KEYSTONEBALLAST.COM