



| KTEB-1C3032-1-TP-WS-LC | |
|-------------------------------|--------------|
| Ballast Type | Electronic |
| Starting Method | Rapid Start |
| Lamp Connection | -- |
| Input Voltage | 120Vac ± 10% |
| Input Frequency | 50/60Hz |

ELECTRICAL SPECIFICATIONS:

| Lamp Type | No. of Lamp | Input Watts | Input Current (Amps) | Power Factor | Crest Factor | Ballast Factor | Ballast Efficacy Factor | Max. THD % |
|-----------|-------------|-------------|----------------------|--------------|--------------|----------------|-------------------------|------------|
| F12T9 32W | 1 | 34 | 0.53 | 0.53 | 1.68 | 1.0 | 2.94 | 150 |
| FCL30 30W | 1 | 27 | 0.45 | 0.51 | 1.64 | 0.95 | 3.52 | 150 |

PERFORMANCE:

- Sound Rated: A
- Minimum Starting Temperature: 0°F, -18°C
- Maximum Case Temperature: 167°F, 75°C
- Meets FCC Part 18 (Class B) Consumer Limits
- Transient Protection meets ANSI/IEEE C62.41 Cat. A
- Lamp end-of-life protected
- 3-Year Warranty

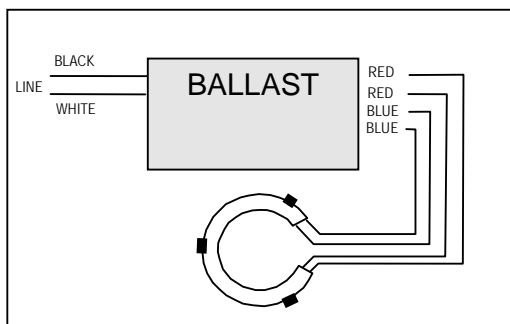
APPROVALS:

- UL, cUL 935 listed

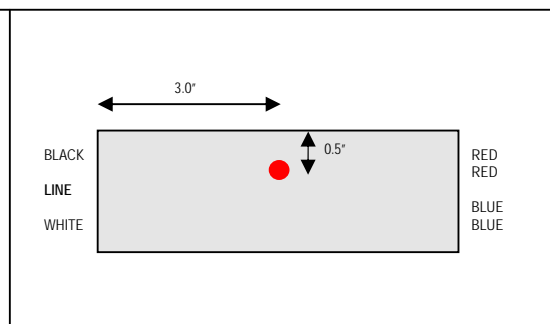
PHYSICAL DIMENSIONS:

| | | |
|---------------|-------|--|
| Length (L): | 6.46" | |
| Width (W): | 1.89" | |
| Height (H): | 1.15" | |
| Mounting (M): | 6.00" | |
| Lead Length: | | |
| White, Black | 12" | |
| Blue | 9" | |
| Red | 9" | |

WIRING DIAGRAM:



Hot Spot Location:



KEYSTONE TECHNOLOGIES LLC.
P.O. Box 246, AMBLER, PENNSYLVANIA 19002
PHONE: 215-283-2600
FAX: 215-628-4412
INFO@KEYSTONEBALLAST.COM
WWW.KEYSTONEBALLAST.COM