



KTEB-113-1-TP	
Ballast Type	Electronic
Starting Method	Rapid Start
Lamp Connection	-
Input Voltage	120Vac ± 10%
Input Frequency	50/60Hz

ELECTRICAL SPECIFICATIONS:

Lamp Type	No. of Lamp	Input Watts	Input Current (Amps)	Power Factor	Crest Factor	Ballast Factor	Ballast Efficacy Factor	Max. THD %
F13T5	1	15.0	0.25	0.50	1.45	0.95	6.33	150
F8T5	1	10.2	0.17	0.50	1.58	1.0	9.25	150
CFQ13W/G24q	1	15.0	0.25	0.50	1.46	0.9	6.33	150

PERFORMANCE:

- Sound Rated: A
- Minimum Starting Temperature: 0°F, -18°C
- Maximum Case Temperature: 167°F, 75°C
- Meets FCC Part 18 (Class B) Consumer Limits
- Transient Protection meets ANSI/IEEE C62.41 Cat. A
- Lamp end-of-life protected

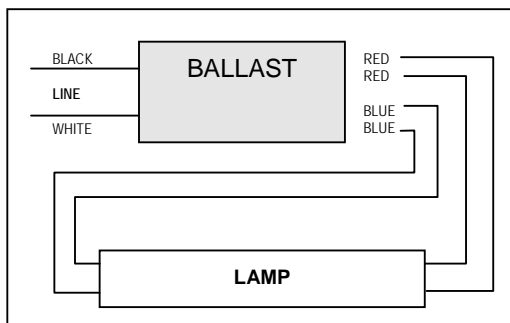
APPROVALS:

- UL, cUL 935 listed

PHYSICAL DIMENSIONS:

Length (L):	6.61"
Width (W):	1.89"
Height (H):	0.98"
Mounting (M):	6.00"

WIRING DIAGRAM:



Hot Spot Location:

