



<b>KTEB-113-1-TP-SCS</b>	
Ballast Type	Electronic
Starting Method	Rapid Start
Lamp Connection	
Input Voltage	120Vac ± 10%
Input Frequency	60Hz / 50Hz

**ELECTRICAL SPECIFICATIONS:**

Lamp Type	No. of Lamp	Input Watts	Input Current (Amps)	Power Factor	Crest Factor	Ballast Factor	Ballast Efficacy Factor	Max. THD %
F13T5	1	15.0	0.25	0.50	1.45	0.95	6.33	150
F8T5	1	10.2	0.17	0.50	1.58	1.0	9.25	150
CFQ13W/G24q	1	15.0	0.25	0.50	1.46	0.9	6.33	150

**PERFORMANCE:**

- Sound Rated: A
- Minimum Starting Temperature: 0°F, -18°C
- Maximum Case Temperature: 167°F, 75°C
- Meets FCC Part 18 (Class B) Consumer Limits
- Transient Protection meets ANSI/IEEE C62.41 Cat. A
- Ballast frequency for all listed lamps: 40KHz-60KHz,
- Lamp end-of-life protected

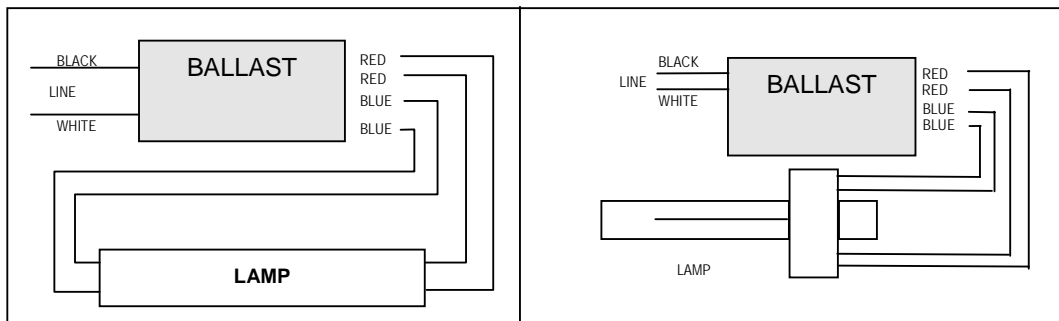
**APPROVALS:**

- UL, cUL 935 listed

**PHYSICAL DIMENSIONS:**

Length (L):	4.00"	
Width (W):	1.87"	
Height (H):	1.19"	
Mounting(M1):	3.58"	
(M2):	2.00"	
(M3):	0.63"	
Lead Length:		
White, Black	12"	
Blue	9"	
Red	9"	

**WIRING DIAGRAM:**



**KEYSTONE TECHNOLOGIES LLC.**  
P.O. Box 246, AMBLER, PENNSYLVANIA 19002  
PHONE: 215-283-2600  
FAX: 215-628-4412  
INFO@KEYSTONEBALLAST.COM  
WWW.KEYSTONEBALLAST.COM